

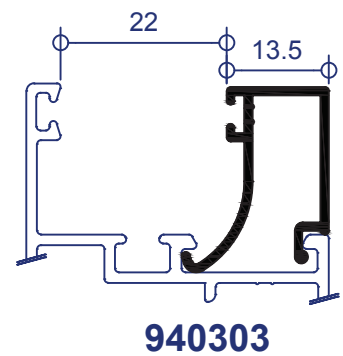
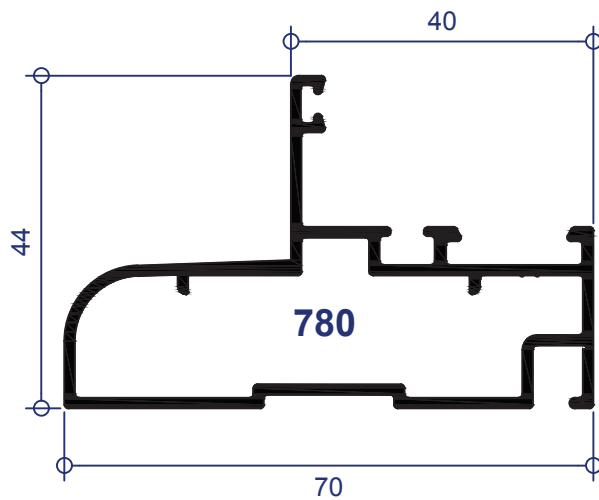
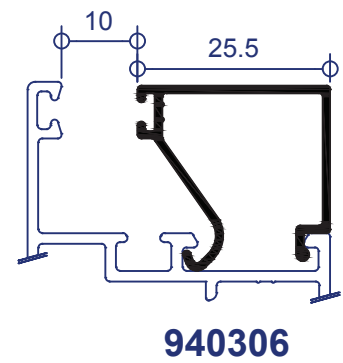
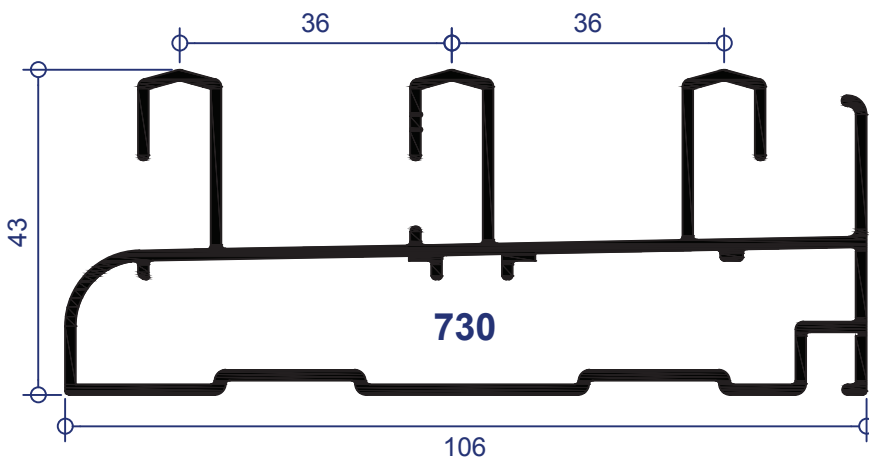
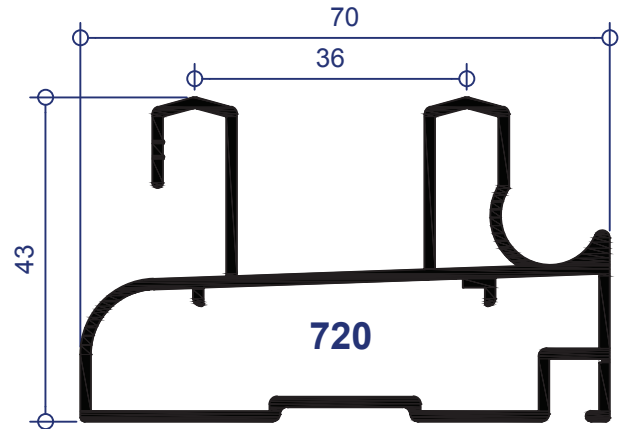
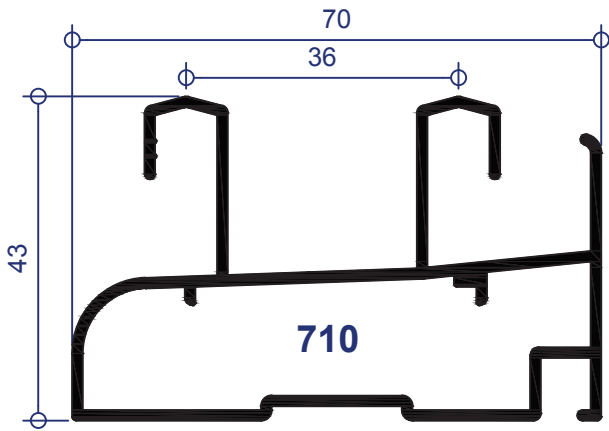


provedal

corredera C-70



sopena
SISTEMAS



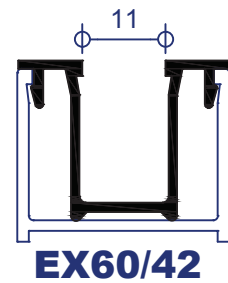
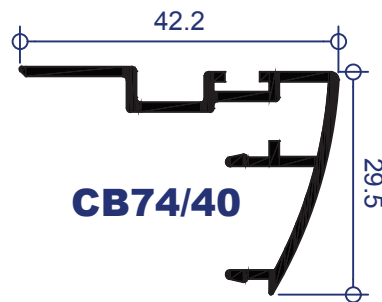
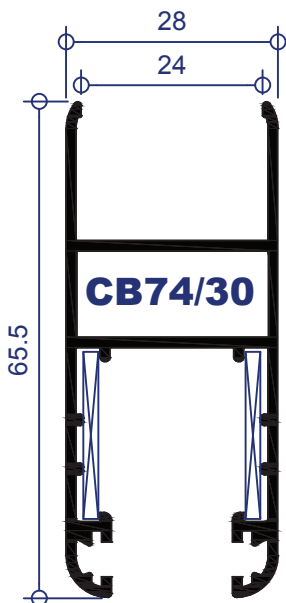
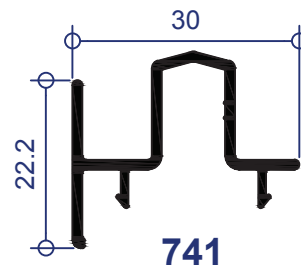
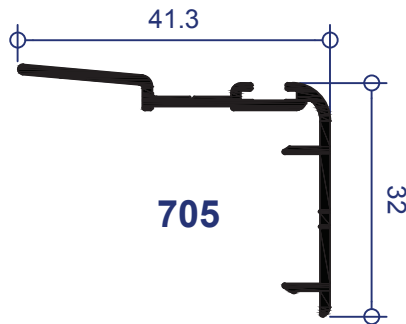
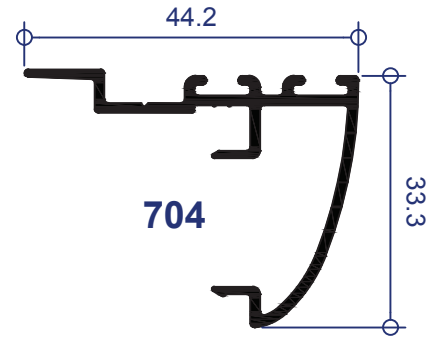
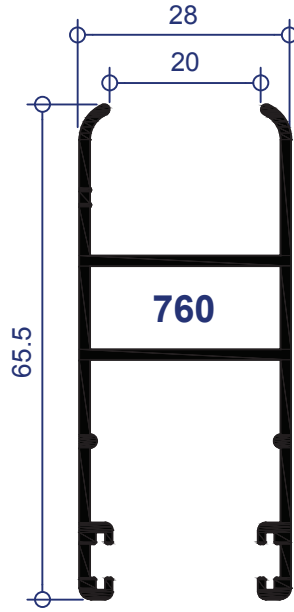
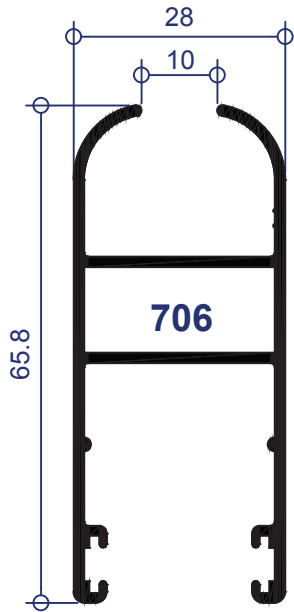


provedal

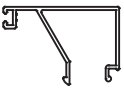
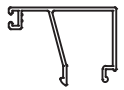
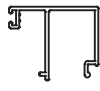
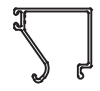
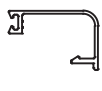
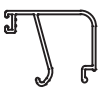
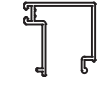


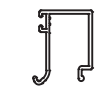


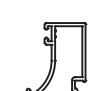


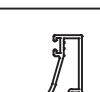


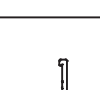
corredera C-70

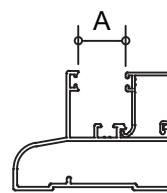


sopena
SISTEMAS

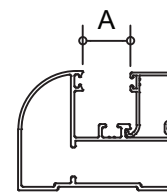




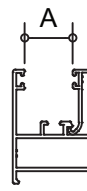
| REFERENCIAS | | | A | B | C | D | F |
|---|---|---|----|----|----|----|----|
| | | | mm | mm | mm | mm | mm |
|  | | | -- | 3 | 23 | 8 | 12 |
| 980301 | | | | | | | |
|  | | | -- | 6 | 26 | 11 | 15 |
| 980302 | | | | | | | |
|  | | | 6 | 12 | 22 | 17 | 21 |
| 940300 | | | | | | | |
|  |  |  | 10 | 16 | 36 | 21 | 25 |
| 940306 | 940310 | 940320 | | | | | |
|  |  |  | 12 | 18 | 38 | 23 | 27 |
| 940301 | 940311 | 940321 | | | | | |
|  |  |  | 18 | 24 | 44 | 29 | 33 |
| 940302 | 940312 | 940322 | | | | | |
|  |  |  | 22 | 28 | 48 | 33 | 37 |
| 940303 | 940313 | 940323 | | | | | |
|  |  |  | 26 | 32 | 52 | 37 | 41 |
| 940304 | 940314 | 940324 | | | | | |
|  | | | 33 | 39 | 59 | 44 | 48 |
| 940305 | | | | | | | |



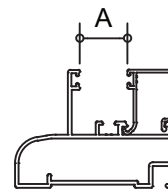
C-60



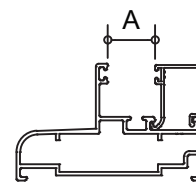
C-60



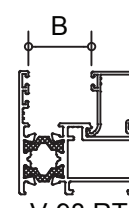
V-94



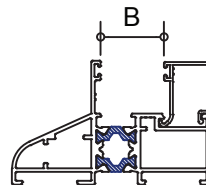
V-94



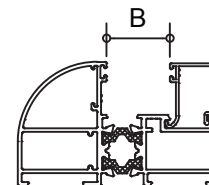
C-70



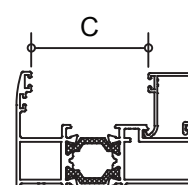
V-98 RT



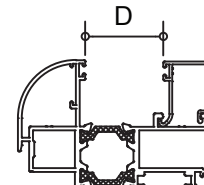
C-75 RT



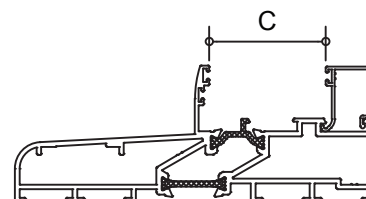
C-75 RT



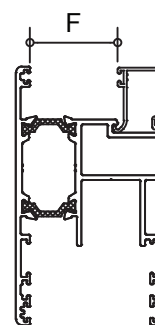
V-98/67 RT



V-98/67 RT



ELV-135 RT



ELV-135 RT